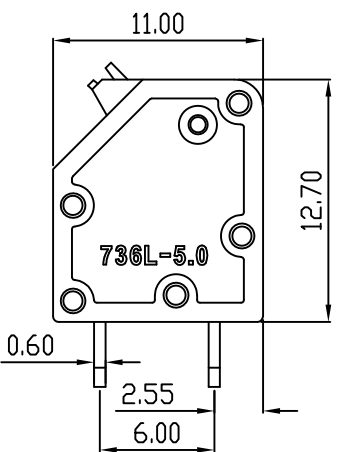
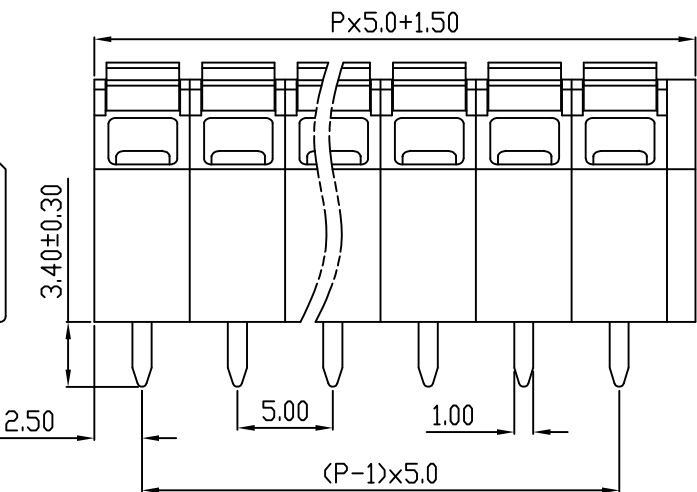
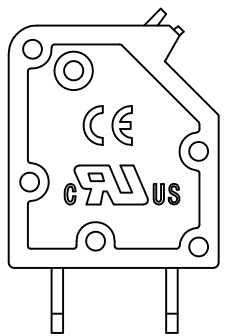
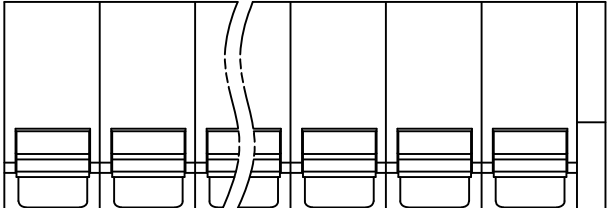
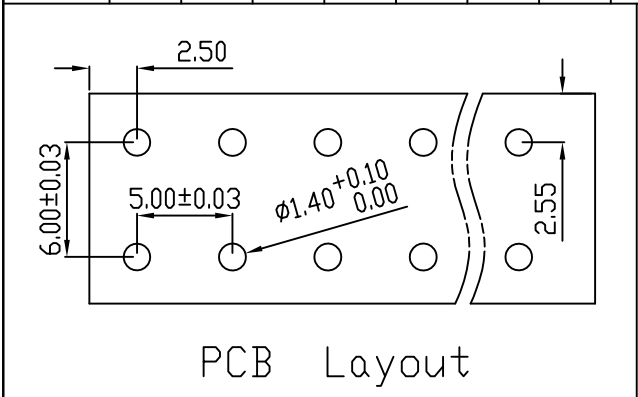


linear dimension(Tolerances Standard GB/T 14486-2008)								—	∇	\perp
variable range		ver 6	ver 10	ver 30	ver 60	over 100	ver 160		ver 10	ver 100
	to	t 10	t 30	t 60	t 100	t 160	t	t 10	t 100	t 100
tolerance		±0.20	±0.30	±0.50	±0.70	±1.00	±1.60	0.10	0.30	0.60

REVISION RECORD				
REV.	DESCRIPTION	ECN No.	APPROVED	DATE
A	新发行		CLF	21.11.03



UL/CUL 技术参数			
UL/CUL Technical Data			
等级 Use Group	B	C	D
额定电压 Rated Voltage [V]	300	-	300
额定电流 Rated Current [A]	10	-	10
接线范围 Wire Range	20-16		
单/多芯线 Solid/Stranded [AWG]	20-16		
耐电压 Withstanding Voltage	1600V/1Min		
IEC 技术参数			
IEC Technical Data			
过电压类别 Overvoltage Category	III	III	II
污染等级 Contamination Class	3	2	2
额定电压 Rated Voltage [V]	250	320	500
额定电流 Rated Current [A]	15	15	15
额定冲击电压 Impulse withstand voltage ^a [KV]	4.0	4.0	4.0
导线截面积 Conductor cross section	1.5		
硬质/柔性导线 Solid/flexible [mm ²]	1.5		
材料 Material			
绝缘材料 Insulation Material	PA66		
阻燃等级 Inflammability	UL94V-0		
导体材料 Contactor Material	铜合金 Copper alloy		
导体表面镀层 Contactive Coating	镀锡 Tin Plated		
一般参数 Other Data			
间距 Pitch [mm]	5.0		
极数 Poles [P]	01-XX		
剥线长度 Stripping Length [mm]	8-9		
螺丝 Screw/扭矩 Torque(Max) [N.m]	-		
工作温度 Operating temperatur [°C]	-40~+105		
引针尺寸 Pin Dimensions [mm]	3.4		
PCB板孔径 PCB Hole Diameter [mm]	1.4		

DES.	SJD	DATE	21.11.03
CHK.	BY	DATE	21.11.03
APP.	CLF	DATE	21.11.03

单位 / UNITS	mm	尺寸 / SIZE	A4	比例 / SCALE	1:1
宁波市旭骋电子有限公司 NINGBOSHI XUCHENG ELECTRONIC CO.LTD					

第三视角 / THIRD ANGLE PROJECTION		版本 / REV	A
名称 / TITLE	XC736L-5.0		